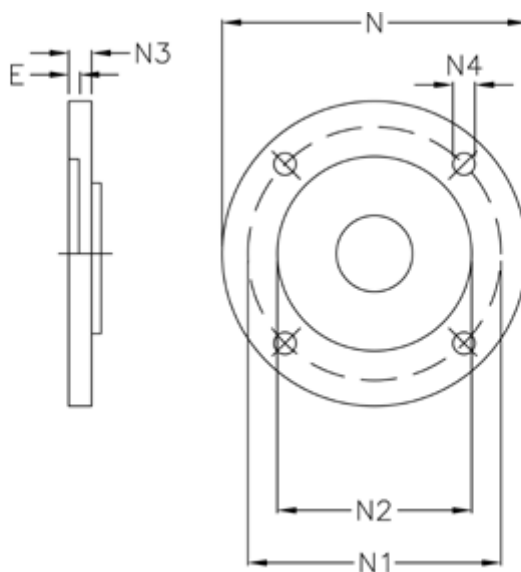


Article number: 3966130000050

Description: Flange 132B5 for VF 130

Measures



$E = 0.5$

$N = 300$

$N1 = 265$

$N2 = 230.0$

$N3 = 17.0$

$N4 = 13$